

ASSEMBLY INSTRUCTION

STEP-1

FILL THE BASE
WTTTH WATER.



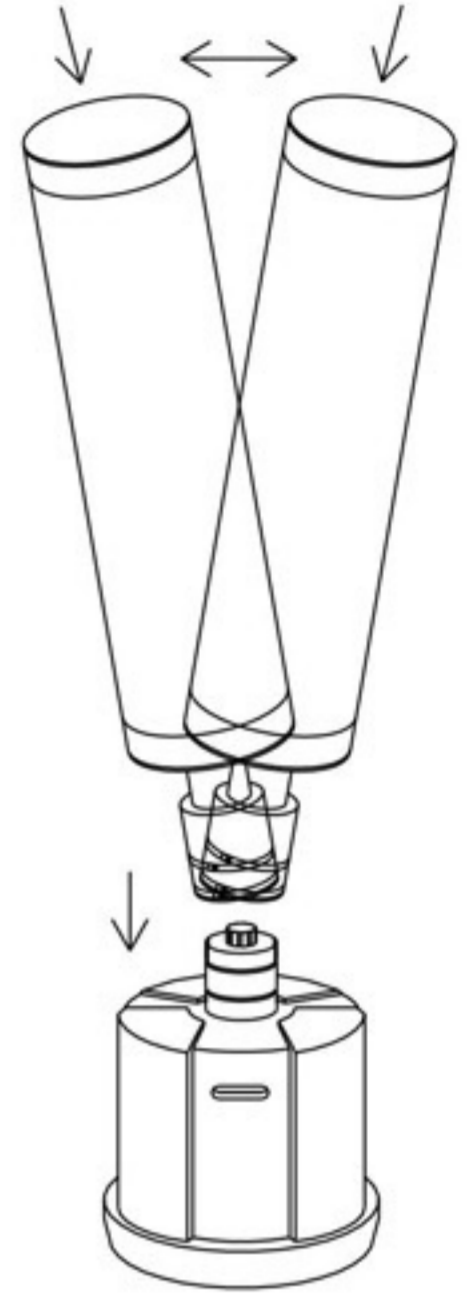
STEP-2

LID THE BASE .



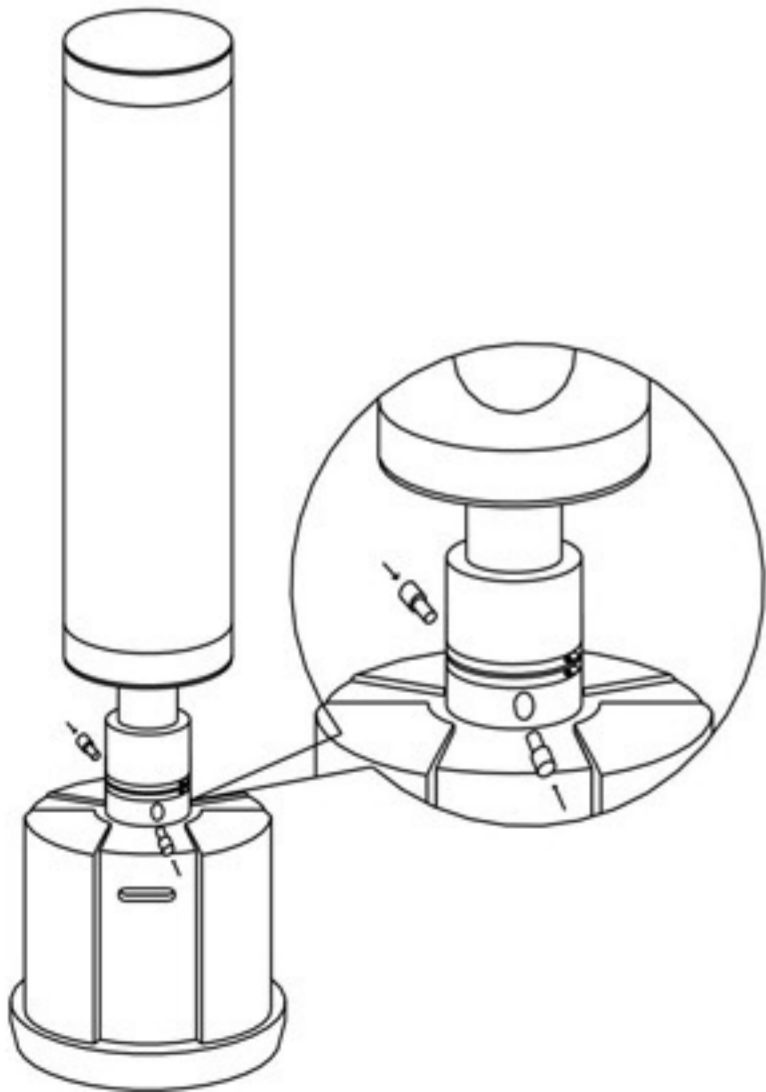
STEP-3

SHAKE AND SLIP THE
BAG ONTO THE BASE.



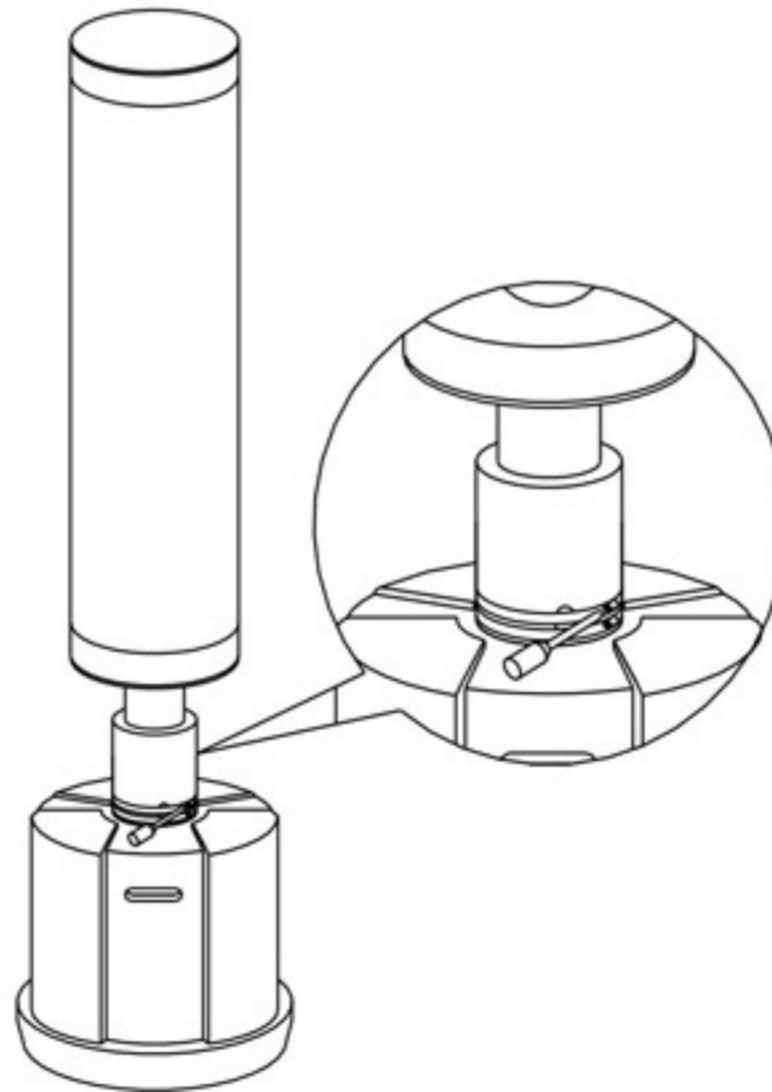
STEP-4

PUT TWO RUBBER
PLUGS INTO BOTH
SIDES.



STEP-5

COVER TWO HOLES
WITH THE STEEL STRIPE
THEN TIGHTEN UP.



STEP-6

FINISHED.

