

# ASSEMBLY INSTRUCTION

## STEP-1

FILL THE BASE WITH WATER.



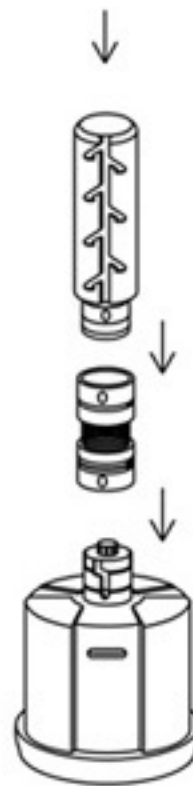
## STEP-2

LID THE BASE.



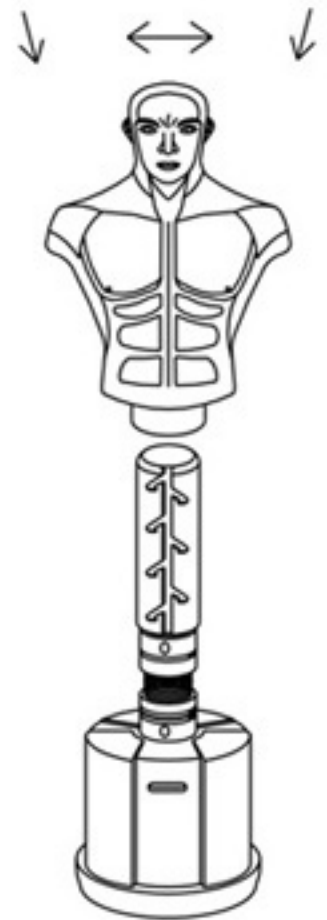
## STEP-3

MATCH TWO HOLES BETWEEN THE MIDDLE RUBBER AND BASE.



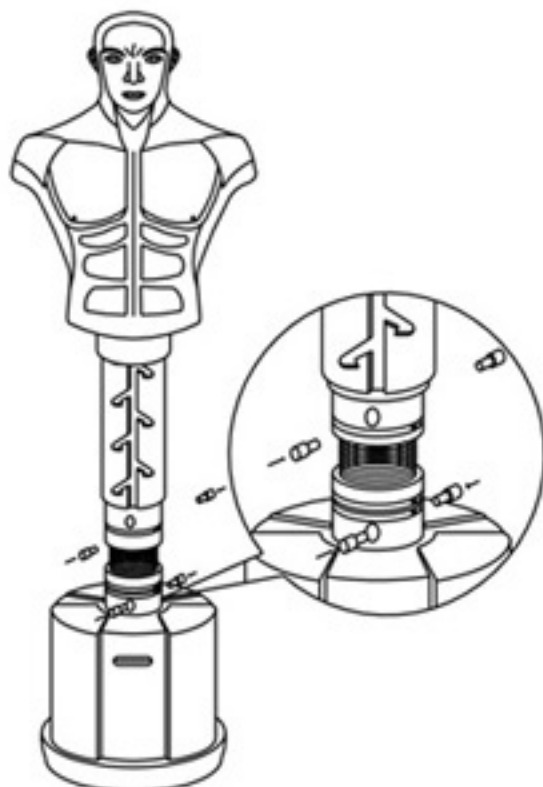
## STEP-4

SHAKE AND SLIP ON THE BAG TO THE MIDDLE RUBBER.



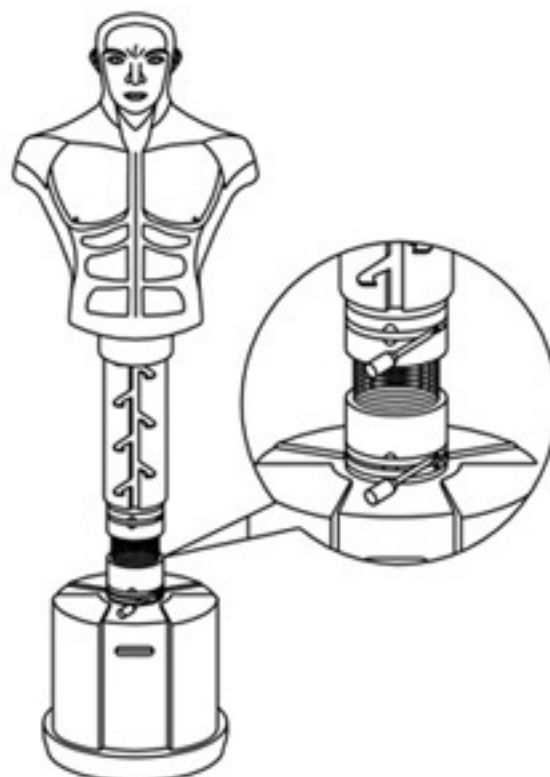
## STEP-5

PUT FOUR RUBBER PLUGS INTO BOTH SIDES.



## STEP-6

COVER FOUR HOLES WITH THE STEEL STRIPE THEN TIGHTEN UP.



## STEP-7

FINISHED.

